

OWNER NOTIFICATION CAMPAIGN

November 3, 2014

Service Advisory: 14-215

Keystone RV Company is conducting an owner notification campaign on certain 2015 Keystone Travel Trailers and Fifth Wheels. Although a very small percentage of vehicles are affected by this we want to bring this to your attention because your continued satisfaction is of the utmost importance to us.

The population includes the following 2015 Keystone Travel Trailers and Fifth Wheels manufactured between May 9, 2014 and August 20, 2014.

Alpine FE780167 – FE780327	Avalanche FE760133 – FE760236	Bullet Indiana FA421069 – FA422073 FD421298 – FD422483	Cougar Indiana F2501568 – F2503582 FV501721 – FV503516
Carbon FR805169 – FR805334	Fuzion FF810144 – FF810287	Hideout F7201323 – F7202531	Impact FF815185 – FF815299
Laredo FK600428 - FK600836	Montana F4700347 - F4700648	Mountaineer F4730338 - F4730741	Outback FB450814 - FB451430
Raptor FR800213 - FR800408	Springdale Indiana F3100976 - F3101921	Sprinter F1530687 – F1531394	Summerland F3150452 - F3150819

Reason for this Notification

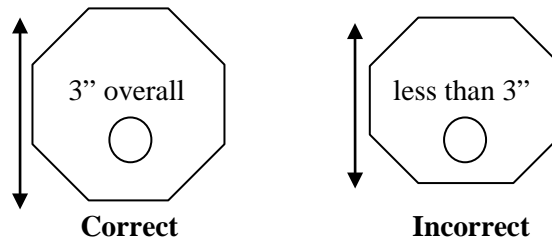
It has been determined that the octagon Correct Track cam plate on certain vehicles may have been manufactured out of specification. If the hanger has the defect part **and** the involved component **has been adjusted** from the original manufacturing setting, it may allow excessive suspension movement possibly causing abnormal wear of the suspension components or tires. The component, **as installed and not having been adjusted**, poses no safety problem and should be **inspected for the below condition** and replaced allowing adjustment in the future **should it be required**.

Recommended action

Inspect the inner and outer octagon Correct Track cam plates located on the front and rear axle spring hangers on both sides of the unit. Each unit has a total of eight (8) plates for tandem axle trailers and twelve (12) for triple axles. The correct measurement for the overall size of the plate is 3". Plates manufactured out of specification will be less than 3".

What we will do

Keystone has notified our dealers regarding this situation. If you feel you need your vehicle inspected by a Dealer or service is required for this corrective action, it will be provided at no charge to you. If you have questions, please contact Keystone Customer Service by calling 1-866-425-4369.



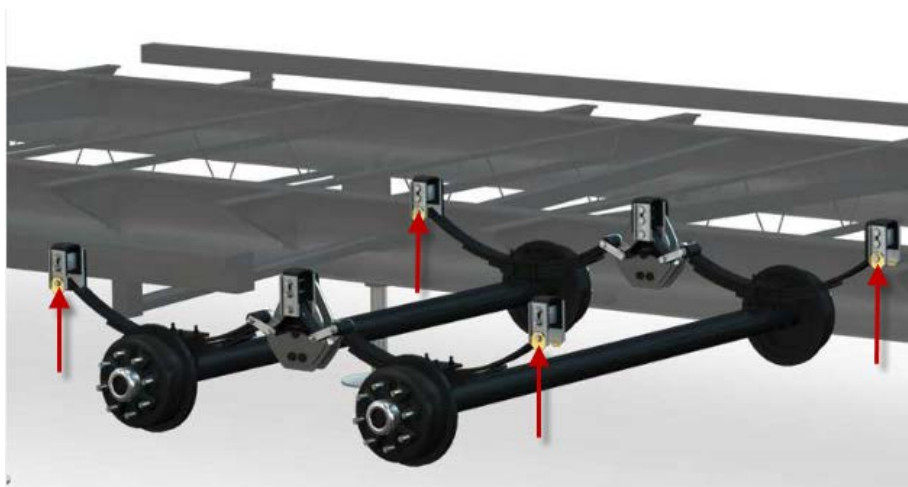


Correct



Incorrect

Cam Plates Shown In Original Manufacturing Position



Correct Track Cam Plate Locations